

11

WORKSHOP FURNITURE

WORK BENCHES	106
TOOL CABINETS AND BOARDS	108
SERVICE TROLLEYS	109
ACCESSORIES	110

285 100

HEAVY DUTY WORK BENCH WITH SHUTTER



Very robust all steel construction and epoxy coated finishing. Includes one module with lockable shutter with one drawer with 16 compartments and one additional module with one shelf with large load capacity.

285 100 - Heavy duty work bench with shutter

Dimensions: 1.750 x 750 x 855 mm. Gross weight: 172 Kg.

280 530

STEEL TOP WORKBENCHES WITH TWO DRAWERS



Steel top workbenches with two lockable drawers.

280 530* - Steel top work bench with two drawers

Dimensions: 1.750 x 750 x 855 mm. Gross weight: 100 Kg.

280 430* - Steel top work bench with two drawers

Dimensions: 1.500 x 750 x 855 mm. Gross weight: 92 Kg.

280 520

STEEL TOP WORKBENCHES WITH ONE DRAWER



Steel top workbenches with two lockable drawers.

280 520* - Steel top work bench with one drawer

Dimensions: 1.750 x 750 x 855 mm. Gross weight: 90 Kg.

280 420* - Steel top work bench with one drawer

Dimensions: 1.500 x 750 x 855 mm. Gross weight: 81 Kg.

280 320* - Steel top work bench with one drawer

Dimensions: 1.250 x 750 x 855 mm. Weight: 73 Kg.

* Products delivered as kits.

280 500 / 280 300**STEEL TOP WORK BENCHES**

Robust all steel worktop with four "Z" shaped crossbeams, maximum load up to 2000 Kg. Rectangular holes on worktop sides that allow drawers to be fixed in different positions. Rectangular holes on worktop sides to fix tool board or cabinet brackets or to adjoin other benches.

Side supports can be fastened to the floor for maximum stability.

280 500* - Steel top work bench

Dimensions: 1.750 x 750 x 885 mm. Gross weight: 78 Kg.

280 400* - Steel top work bench

Dimensions: 1.500 x 750 x 885 mm. Gross weight: 70 Kg.

280 300* - Steel top work bench

Dimensions: 1.250 x 750 x 885 mm. Gross weight: 62 Kg.

280 200* - Steel top work bench

Dimensions: 1000 x 750 x 885 mm. Gross weight: 54 Kg.

280 100* - Steel top work bench

Dimensions: 750 x 750 x 885 mm. Gross weight: 47 Kg.

**280 510****WOODEN TOP WORK BENCH****280 510* - Wooden top work bench**

Beech wood worktop and steel shelf and lateral supports. One or two optional drawers (part number 284 100) can be fixed to the wooden top. Dimensions: 1.750 x 750 x 885 mm. Gross weight: 77 Kg.

* Products delivered as kits.

281 500

TOOL CABINETS



Tool cabinets with lockable shutter. Perforated tool panel for maximum capacity and tool hanging accessories. Can be fixed to the wall, to a steel top work bench or to a heavy duty work bench using optional brackets.

281 500 - Tool cabinet

Dimensions: 1.750 x 750 x 190 mm.
Gross weight: 50 Kg. Includes a set of 9 tool brackets and 45 hooks set 289 101.

281 400 - Tool cabinet

Dimensions: 1.500 x 750 x 190 mm.
Gross weight: 45 Kg. Includes a set of 9 tool brackets and 45 hooks set 289 101.

281 300 - Tool cabinet

Dimensions: 1.500 x 750 x 190 mm.
Gross weight: 38 Kg. Includes a set of 7 tool brackets and 30 hooks set 289 100.

281 200 - Tool cabinet

Dimensions: 1.250 x 750 x 190 mm.
Gross weight: 32 Kg. Includes a set of 7 tool brackets and 30 hooks set 289 100.

289 105 - Set of two cabinet to work bench mounting brackets

282 500 / 282 300

TOOL BOARDS



Steel perforated panel for tool organisation. Can be fixed to the wall, to a steel top work bench or to a heavy duty work bench using optional brackets. Delivered in boxes containing two units.

282 500 - Tool board

Dimensions: 1.750 x 750 x 20 mm.
Gross weight: 17 Kg. Includes a set of 9 tool brackets and 45 hooks set 289 101.

282 400 - Tool board

Dimensions: 1.500 x 750 x 20 mm.
Gross weight: 16 Kg. Includes a set of 9 tool brackets and 45 hooks set 289 101.

282 300 - Tool board

Dimensions: 1.250 x 750 x 20 mm.
Gross weight: 13.5 Kg. Includes a set of 7 tool brackets and 30 hooks set 289 100.

282 200 - Tool board

Dimensions: 1.000 x 750 x 20 mm.
Gross weight: 12.5 Kg. Includes a set of 7 tool brackets and 30 hooks set 289 100.

282 100 - Tool board

Dimensions: 750 x 750 x 20 mm.
Gross weight: 6 Kg. Includes 1 multi-tool bracket and 30 hooks.

289 205 - Set of two board to work bench mounting brackets

289 206 - Set of two board to service trolley mounting brackets



283 201

SERVICE TROLLEY



283 201* - Service trolley

Service trolley with three shelves, drawer and tool board, with one multi-tool bracket and 30 hooks, for hanging tools. Very robust construction with two large wheels (Ø 160 mm) and two castors (Ø 100 mm), one of them with brake for better stability and safety. Load capacity: 200 Kg. Gross weight: 35.5 Kg.

283 202

HEAVY DUTY SERVICE TROLLEYS



Very robust service trolleys with three shelves, two large wheels (Ø 160 mm) and two castors (Ø 100 mm.), one of them with brake for better stability and safety. Middle shelf can be mounted in two different positions. Load capacity: 200 Kg.

283 202* - Heavy duty service trolley with drawer

Includes drawer 284 201. Dimensions: 880 x 610 x 930 m. Gross weight: 28 Kg.

283 200* - Heavy duty service trolley

Dimensions: 880 x 610 x 930 m. Gross weight: 21 Kg.

283 100

STANDARD SERVICE TROLLEYS



283 100* - Standard service trolley

Service trolley with three shelves, two fixed wheels and two castors (Ø 80 mm). Middle shelf can be mounted in two different positions. Load capacity: 200 Kg. Dimensions: 840 x 450 x 910 m. Gross weight: 20 Kg.

283 900

TROLLEY WITH SHELVES



283 900* - Trolley with shelves

Trolley with three shelves, four castors (Ø 40 mm.) and 80 Kg. Maximum load capacity. Dimensions: 615 x 400 x 755. Gross weight: 11 Kg.

284 201

DRAWER FOR SERVICE TROLLEYS



284 201 - Drawer for service trolleys

Drawer with telescopic guides to be fitted directly to the top shelf of service trolleys. Load capacity: 24 Kg. Dimensions: 472 x 415 x 60 mm. Gross weight: 7 Kg.

* Products delivered as kits.

284 100

DRAWER FOR WORK BENCHES



284 100

Drawer with lock and tray to be fitted directly under the steel or wood worktop of workbenches. Load capacity: 100 Kg. Dimensions: 660 x 145 x 505 mm. Gross weight: 11 Kg.

289 309

ADDITIONAL SHELVES FOR WORKBENCHES



To increase storage capacity under steel or wooden top workbenches. They include two transversal beams to fix the shelf to the side supports. Screws included.

289 309 - Additional shelf for workbenches

Dimensions: 1.750 x 500 mm. Gross weight: 21 Kg.

289 307 - Additional shelf for workbenches

Dimensions: 1.500 x 500 mm. Gross weight: 18 Kg.

289 305 - Additional shelf for workbenches

Dimensions: 1.250 x 500 mm. Gross weight: 16 Kg.

282 501

PERFORATED PANELS FOR TOOL ORGANISATION



Perforated panel for placing hooks and other tool hanging accessories. Strong steel frame with two wall brackets. Boards are delivered in packages containing two units.

282 501 - Perforated panel - 1.750 mm

Dimensions 1.750 x 750 x 20 mm. Gross weight: 10 Kg.

282 401 - Perforated panel - 1.500 mm

Dimensions 1.500 x 750 x 20 mm. Gross weight: 9 Kg.

282 301 - Perforated panel - 1.250 mm

Dimensions 1.250 x 750 x 20 mm. Gross weight: 7.5 Kg.

282 201 - Perforated panel - 1.000 mm

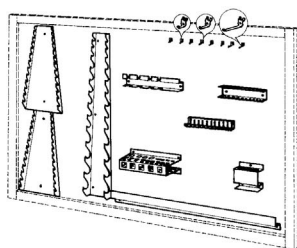
Dimensions 1.000 x 750 x 20 mm. Gross weight: 6.5 Kg.

282 101 - Perforated panel - 720 mm

Dimensions 720 x 750 x 20 mm. Gross weight: 5 Kg.

289 101

STANDARD ACCESSORY SETS FOR TOOL BOARDS AND CABINETS



Set of accessories for an optimum organisation of tools on boards and in cabinets. Each set includes the hooks and tool brackets mentioned in the following table:

	289 108	289 107	289 106	728 901	728 900	728 903	728 902	728 907	728 905	728 904	728 906
289 101	1	1	1	2	1	1	1	1	1	1	1
289 100	1	1	-	1	1	1	1	1	1	1	1
289 109	-	1	1	-	-	-	-	1	-	-	-

289 108 / 289 107 / 289 106

HOOKS FOR PERFORATED PANELS



289 108 - 15 short-hooks set

Length: 21 mm. Screws included.

289 107 - 15 long hooks set

Length: 32 mm. Screws included.

289 106 - 15 extra long hooks set

Length: 75 mm. Screws included.

289 110 - 5 short hooks set

Length: 21 mm. Screws included.

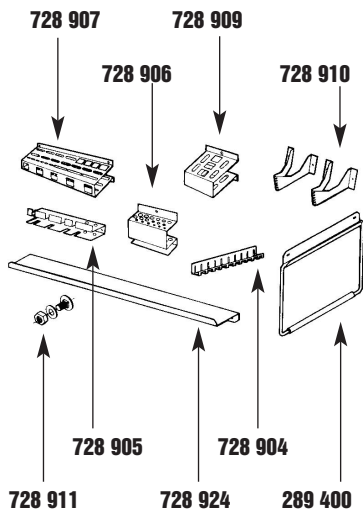
289 111 - 5 long hooks set

Length: 32 mm. Screws included.

289 112 - 5 extra long hooks set

Length: 75 mm. Screws included.

TOOL SUPPORTS AND BRACKETS



728 900	Bracket for 13 box spanners	102 x 650 x 53 mm
728 901	Bracket for 13 spanners	162 x 364 x 44 mm
728 902	Bracket for 20 drive sockets	670 x 46 x 50 mm
728 903	Bracket for 12 allen keys	166 x 35 x 24 mm
728 904	Bracket for 11 sets of pliers / screwdrivers / files	206 x 32 x 27 mm
728 905	Bracket for 6 screwdrivers	235 x 41 x 35 mm
728 906	Bracket for 18 bits / punches / chisels	100 x 83 x 47 mm
728 907	Universal "multi-tool" bracket	235 x 67 x 87 mm
728 909	Small "multi-tool" bracket	72 x 67 x 87 mm
728 910	Set of drill brackets	60 x 45 x 100 mm
728 924	Tray for panel / cabinet	800 x 40 x 100 mm
289 400	Paper roll supports	
728 911	Nut and bolt set for bench assembly	